

## 1. Specification

- DC to DC power control
- Illuminate angle of 120 degrees
- CREE LED chip inside
- E27 socket
- CE / ROHS certification
- 2 years warranty of 50,000 hours operation, decade less 20% in 5 years

## 2. Electrical parameters

### 2.1. PCB board

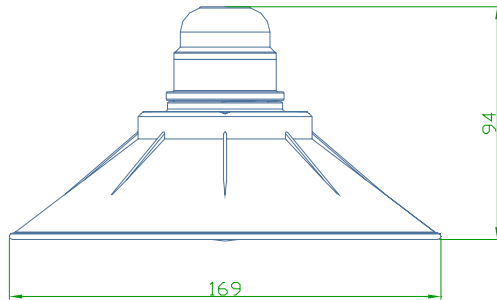
efficiency	Input Voltage	Idle load output	Output Power	Power Factor
90%	6V-12V	3.3V/350mA	1.3W ( 1W Cree LED chip inside )	≥95%

### 2.2.LED lamp chip

Voltage	Current range	Light efficiency	Color temperature	LED working temperature	Color rendering index
3.1V-3.3V	350mA	83Lm/W	5500K-6500K	80°C	Ra=70

### 3. Dimensions

Overall dimensions: 169\*94 mm



### 4. Environmental requirements

Working temperature: 70 °C max

Environmental temperature : -25 °C - 45 °C