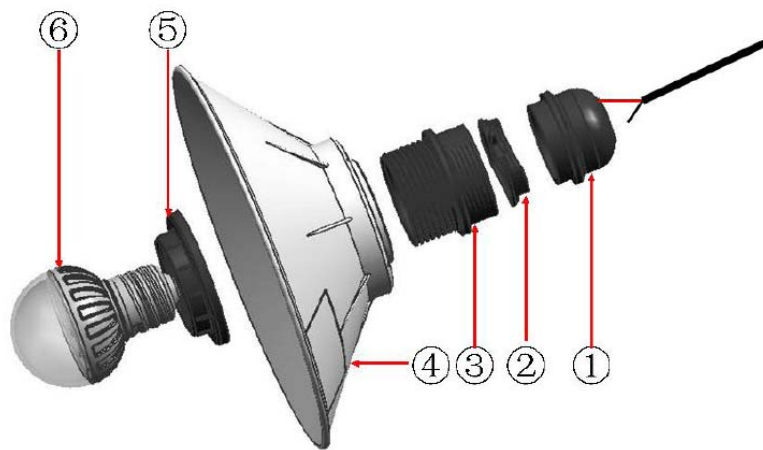


Installation Guide

1. E27 Lamp socket bottom
2. Wire connection seat
3. E27 Socket and screw
4. Lampshade
5. Screw ring
6. 1W LED lamp



1. Power cable go through ① E27lamp socket bottom then connect the wire on ② seat of positive and negative terminal. Screw on & tight
2. Assembly parts ② and ①, then sealed with ③
3. Then screw in ⑤ the ring and assembly with ④ lampshade and ③ screw tight
4. Install ⑥ LED lamp
5. Connect the wire with 6V / 12V battery